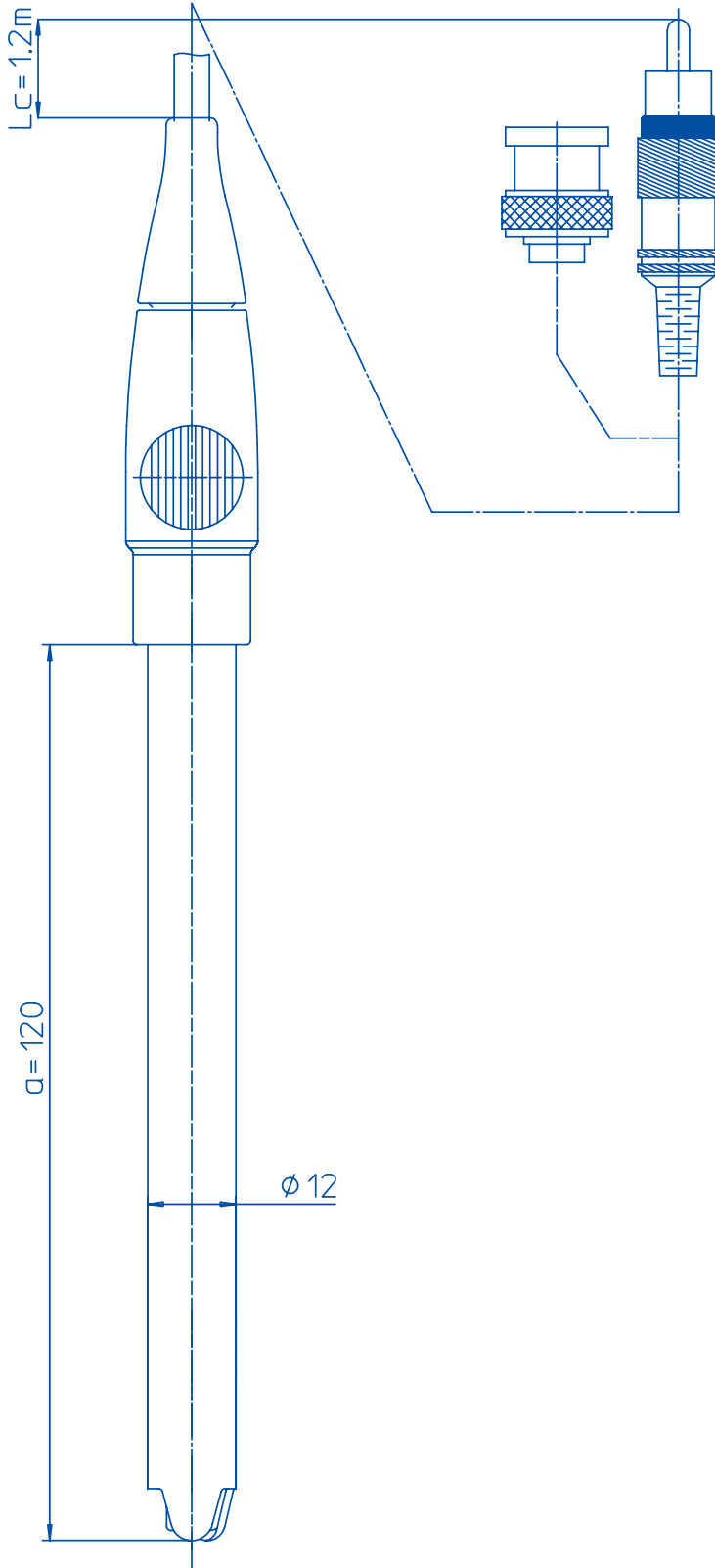


ML2002

Premium 3-in-1

pH



**Order number** ML2002

former order number -

**Specifications**

pH range 0 - 14  
zero point (pH) 7.00 ± 0.25

temperature range 0 - 100 °C  
temperature probe NTC 30 kΩ

shaft material PEEK  
membrane glass U  
membrane resistance < 250 MΩ

reference system ARGENTHAL™  
reference diaphragm double open junction  
reference electrolyte XEROLYT® polymer

bridge electrolyte -

electrode head -  
cable length 1.2 m  
connector BNC / RCA (Cinch)

cell constant (cm<sup>-1</sup>) -  
cell type -

indicating metal -

**Storage** FRISCOLYT-B®  
(51340053)

**Special features**

unbreakable, chemically resistant PEEK shaft  
two open reference junctions  
integrated temperature probe NTC 30 kΩ

Scale 1:1

[www.LabPro.co.uk](http://www.LabPro.co.uk)