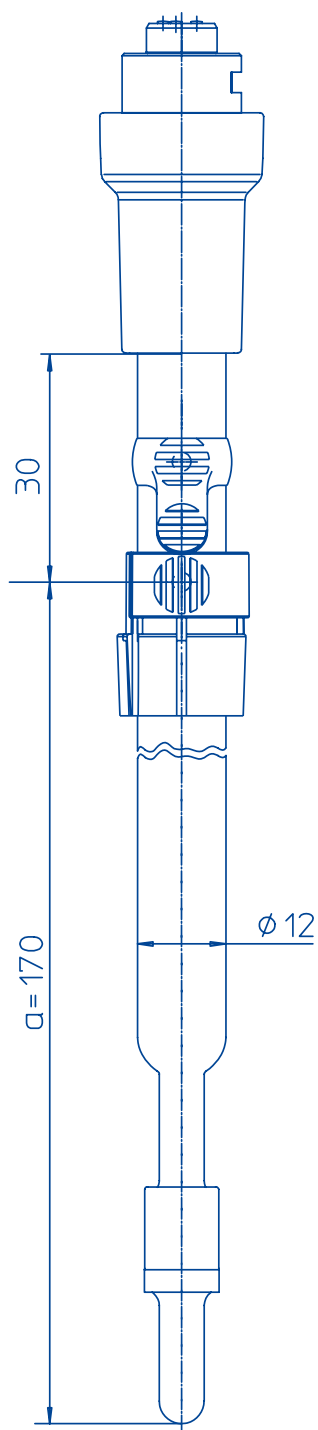


pH



Specifications

pH range	0 - 12
zero point (pH)	7.00 ± 0.25
temperature range	0 - 100 °C
temperature probe	NTC 30 kΩ
shaft material	glass
membrane glass	A41
membrane resistance	< 600 MΩ
reference system	ARGENTHAL™, Ag ⁺ trap
reference diaphragm	movable glass sleeve
reference electrolyte	3 mol/L KCl
bridge electrolyte	3 mol/L KCl
electrode head	MultiPin™
cable length	-
connector	-
cell constant (cm ⁻¹)	-
cell type	-
indicating metal	-

Storage 3 mol/L KCl

Special features

- movable glass reference junction
- bridge electrolyte chamber
- integrated temperature probe NTC 30 kΩ
- special membrane glass A41, especially suitable for difficult applications like organic solvents
- special shaft length 170 mm
- ARGENTHAL™ reference system with Ag⁺ trap

Choice of cables

All Mettler-Toledo meters have BNC connectors. Recommended cable: BNC/RCA (Cinch) 1.2 m (52300009)

Our cable selector guide offers a large choice of MultiPin™ cables for other connectors.

